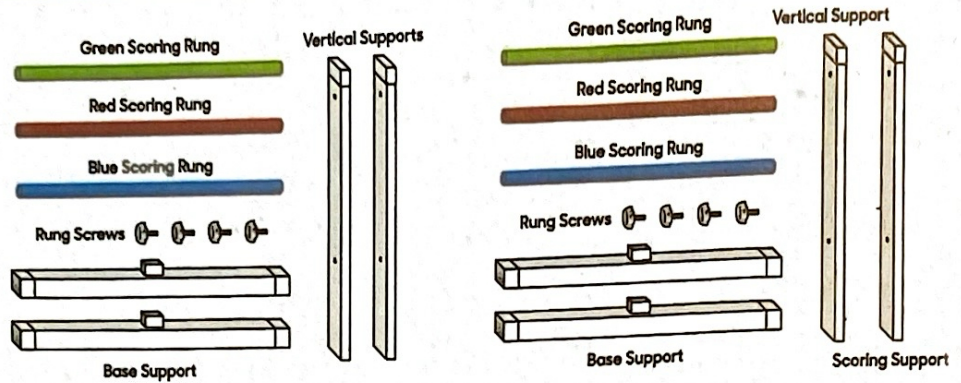


Ladder Toss Game Rules

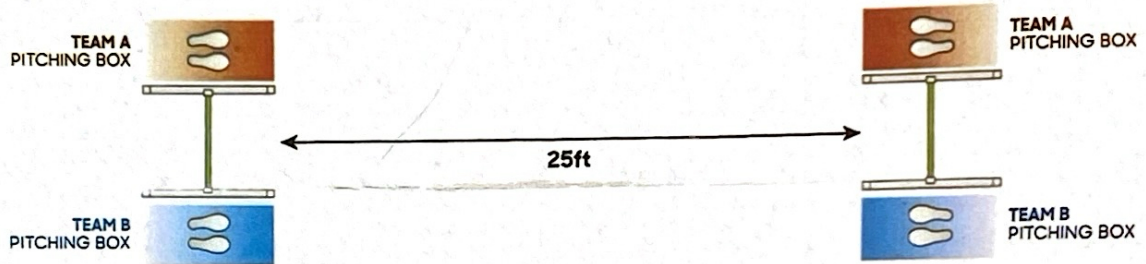
Includes:

- (4) Base Supports
- (4) Vertical Supports
- (2) Red Scoring Rungs
- (2) Blue Scoring Rungs
- (2) Yellow Scoring Rungs
- (8) Rung Screws
- (6) Bolos
- Carrying Bag



Game Setup:

Once your 2 Ladder Toss Targets are assembled (see reverse for instructions), find a flat open space and place the targets 25ft (10 paces) from each other. Beginners or younger players may place targets closer. Make sure surroundings are free from non-playing persons or structures to the sides or back of the targets, as errant shots can cause damage and/or bodily harm.



Playing The Game:

Play is between 2 teams of 2 players each. One player from each team will stand next to the ladder when it is their turn to toss. **DO NOT** stand next to the ladder when the opposing team is tossing towards you.

Decide who will go first, then alternate turns throwing with your opponent. You throw one bolo, then your opponent, then you, then your opponent, etc. When all 3 bolos from each team has been tossed to the other side, add up the scores (see scoring below). If you earned the most points in that single round, your partner will throw first in the next round.

Scoring:

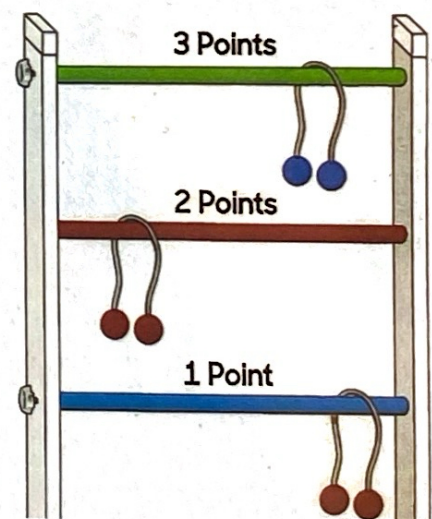
Points are scored when a tossed bolo hits and stays wrapped around one of the 3 colored rungs.

- 3 Points - Top Rung (Green)
- 2 Points - Middle Rung (Red)
- 1 Point - Bottom Rung (Blue)

Add up how many points you earned and compare your score to your opponents. Each team's points cancel each other out so that only one team can score per round.

For example, if you scored 5 points and your opponent scored 3, you will add 2 points to your overall score and your team will throw first in the next round. If both teams score the same there will be no points awarded and whoever threw first in the last round will throw first again.

A game ends when a team reaches 21 points with a lead of 2 or more points.



Assembly Instructions:

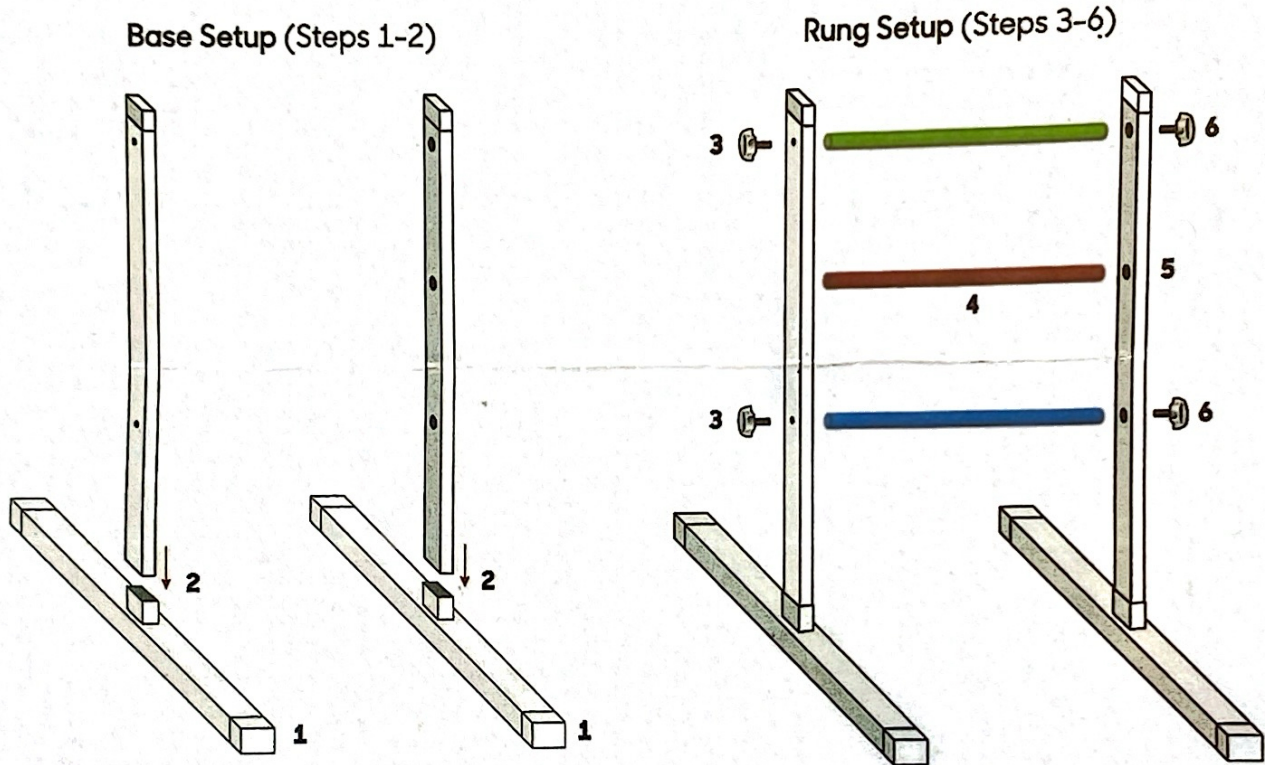
At GoSports, we pre-assembled as much as possible to make the game's setup easy. In the box, there are metal supports and rungs to assemble 2 targets. Separate the pipes and rungs into 2 piles. No tools are required.

Starting with the First Target:

- 1: First lay out two Base Supports pipes with plastic connection facing up.
- 2: Next insert both Vertical Supports Into Base Supports
- 3: Screw Green and Blue Scoring Rungs to one side of the Vertical Support
- 4: Insert Red Scoring Rung Into middle slot
- 5: Attach other side (Make sure to fit Red Scoring Rung In middle)
- 6: Finally, attach screws to other side of Green and Blue Scoring Rungs. This completes the first target.

Second Target Setup:

Repeat the same steps for the Second Target.



Customer Service:

If you have any questions or concerns regarding your GoSports® Ladder Toss Set, please reach out to us at info@pandpimports.com and we will get back to you right away. We 100% stand behind our products and want to make sure you get the full enjoyment that you paid for. Enjoy!